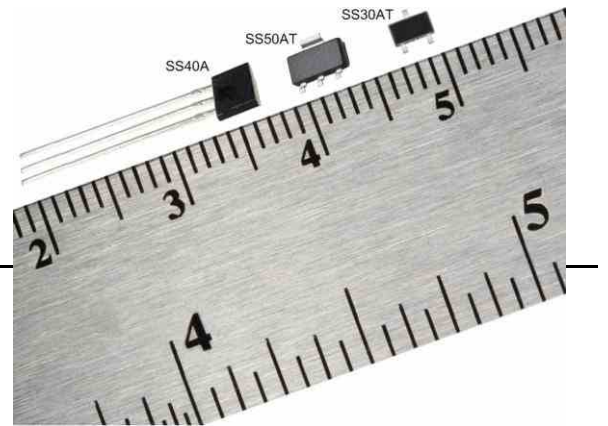


## SS30AT/SS40A/SS50AT

### Bipolar Hall-effect Magnetic Position Sensors



#### DESCRIPTION

The SS30AT/SS40A/SS50AT Series sensors are versatile, bipolar, Hall-effect sensors. These sensitive magnetic sensors offer reverse polarity protection and deliver stable output over a -40 °C to 125 °C [-40 °F to 257 °F] temperature range. Operation from any dc supply voltage from 4.5 Vdc to 24.0 Vdc is acceptable.

The SS30AT/SS40A/SS50AT Series sensors build upon Honeywell's popular magnetic position sensors and offer several advantages. These sensors have been designed with the latest technologies to provide reliable, cost-effective solutions to many commercial, computer, medical, and/or consumer applications requiring motor control and RPM sensing.

These products are available in three package styles to suit a variety of applications. The SS40A in the leaded, flat TO-92 style package can be supplied in bulk (1000 pieces per bag) or on tape in an "Ammopack" (fan-fold) format. The SS30AT in the subminiature SOT-23 surface-mount package, and the SS50AT in the small SOT-89B surface-mount package, are both supplied on tape and reel for use in automated pick-and-place equipment.

The surface mount versions are mounted directly on the electrical traces on a printed circuit board (PCB). They are attached by an automatic solder reflow operation which requires no hole, so it may help reduce the cost of the PCB.

#### FEATURES/BENEFITS

- Subminiature package size (SS30AT) often allows for use in applications with tight PCB space where a compact design is needed
- Small package size (SS40A, SS40AT) allows for more space on PCB
- Sensitive bipolar magnetics respond to alternating north and south poles, often making these products well-suited for speed sensing and RPM measurement
- Robust design with built-in reverse voltage protection simplifies installation and protects device from damage when mounted on PCB
- Thermally balanced integrated circuit provides for stable operation over a full temperature range
- RoHS-compliant materials meet Directive 2002/95/EC

#### POTENTIAL APPLICATIONS

##### Transportation:

- Speed and RPM (revolutions per minute) sensing
- Tachometer, counter pickup
- Motor and fan control
- Electric vehicle control
- Convertible roof position

##### Industrial:

- Speed and RPM (revolutions per minute) sensing
- Tachometer, counter pickup
- Flow-rate sensing
- Brushless dc (direct current) motor commutation
- Motor and fan control
- Robotics control

# SS30AT/SS40A/SS50AT

## ABSOLUTE MAXIMUM RATINGS\*

Parameter	Min.	Typ.	Max.	Unit
Supply voltage	-28	–	28	V
Applied output voltage	-0.5	–	28	V
Output current	–	–	20	mA
Magnetic flux	–	–	No limit	Gauss

\*Absolute maximum ratings are the extreme limits the device will withstand without damage to the device. However, the electrical and mechanical characteristics are not guaranteed as the maximum limits (above recommended operating conditions) are approached, nor will the device necessarily operate at absolute maximum ratings.



## ELECTRICAL CHARACTERISTICS

At  $V_s = 4.5\text{ V}$  to  $24\text{ V}$  with  $20\text{ mA}$  load with  $T_a = -40\text{ °C}$  to  $125\text{ °C}$  [ $-40\text{ °F}$  to  $257\text{ °F}$ ] unless otherwise noted.

Parameter	Cond.	Min.	Typ.	Max.	Unit
Supply voltage	–	4.5	–	24.0	V
Supply current	$25\text{ °C}$ [ $77\text{ °F}$ ]	–	6.8	10.0	mA
Supply current	$25\text{ °C}$ [ $77\text{ °F}$ ], $V_s = 4.5\text{ V}$	–	4.4	7.06	mA
Supply current	–	–	–	11.3	mA
Output current	–	–	–	20.0	mA
$V_{sat}$ @ $15\text{ mA}$	Gauss $>170$	–	–	0.4	V
Output leakage	Gauss $<-170$	–	–	10.0	$\mu\text{A}$
Rise time	$25\text{ °C}$ [ $77\text{ °F}$ ]	–	0.5	1.5	$\mu\text{s}$
Fall time	$25\text{ °C}$ [ $77\text{ °F}$ ]	–	0.2	1.5	$\mu\text{s}$
Response time	$25\text{ °C}$ [ $77\text{ °F}$ ]	–	4.0	5.0	$\mu\text{s}$
Operate	$25\text{ °C}$ [ $77\text{ °F}$ ]	–	45	110	Gauss
Operate	$0\text{ °C}$ to $85\text{ °C}$ [ $32\text{ °F}$ to $185\text{ °F}$ ]	–	50	130	Gauss
Operate	–	–	55	170	Gauss
Release	$25\text{ °C}$ [ $77\text{ °F}$ ]	-110	-45	–	Gauss
Release	$-40\text{ °C}$ to $85\text{ °C}$ [ $-40\text{ °F}$ to $185\text{ °F}$ ]	-130	-50	–	Gauss
Release	–	-170	-55	–	Gauss
Differential	–	50	–	–	Gauss
Operating temperature	$-40\text{ °C}$ to $125\text{ °C}$ [ $-40\text{ °F}$ to $257\text{ °F}$ ]				
Storage temperature	$-55\text{ °C}$ to $165\text{ °C}$ [ $-67\text{ °F}$ to $329\text{ °F}$ ]				

**Note:** The magnetic field strength (Gauss) required to cause the sensor to change state (operate and release) will be as specified in the magnetic characteristics. To test the sensor against the specified magnetic characteristics, the sensor must be placed in a uniform magnetic field.

## NOTICE

Bipolar Hall-effect sensors may have an initial output in either the ON or OFF state if powered up with an applied magnetic field in the differential zone (applied magnetic field  $>Brp$  and  $<Bop$ ). Honeywell recommends allowing  $10\ \mu\text{s}$  for output voltage to stabilize after supply voltage has reached  $5\text{ V}$ .

# Bipolar Hall-Effect Magnetic Position Sensors

## WIRING DIAGRAMS

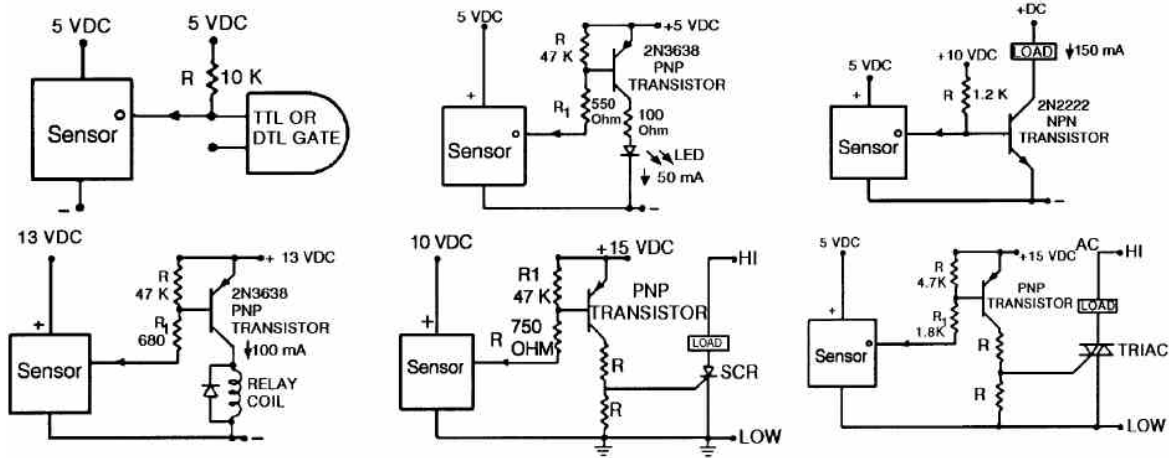


FIGURE 1: SS30AT/SS40A/SS50AT OPERATE AND RELEASE POINTS

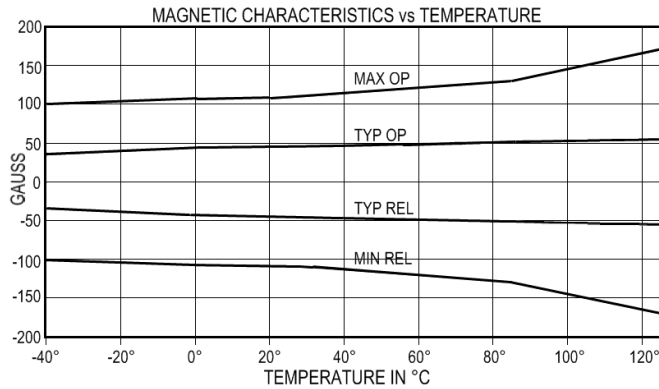
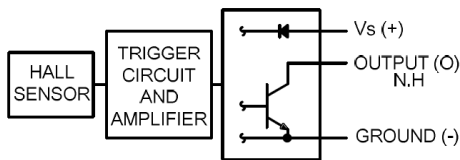
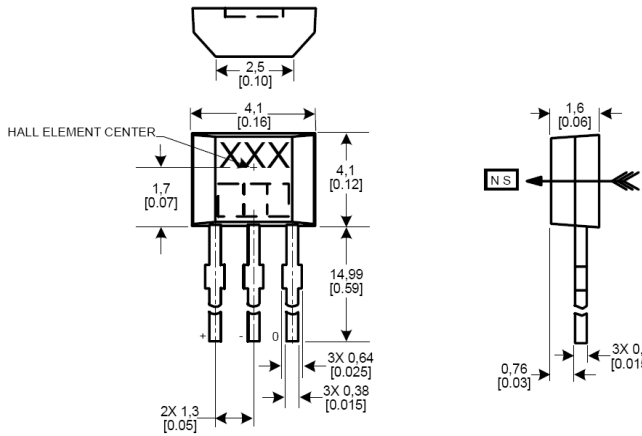


FIGURE 2. CURRENT SINKING OUTPUT BLOCK DIAGRAM

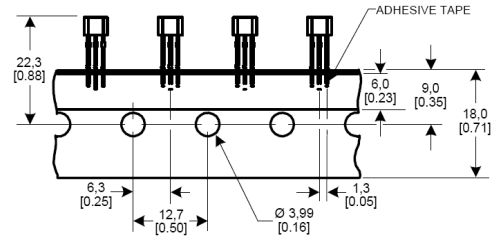


# SS30AT/SS40A/SS50AT

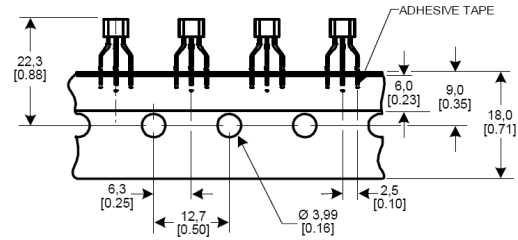
SS40A SERIES MOUNTING DIMENSIONS (for reference only) mm/[in]



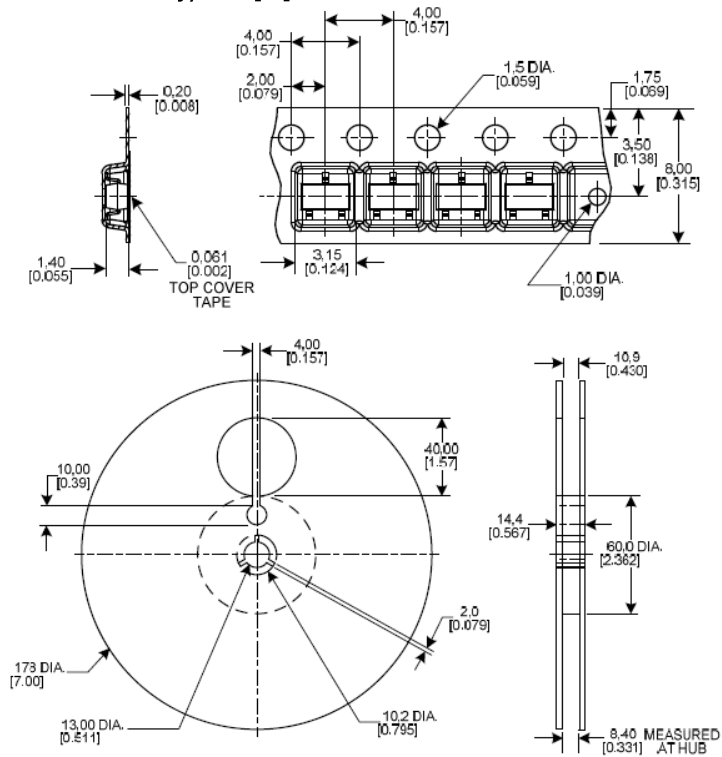
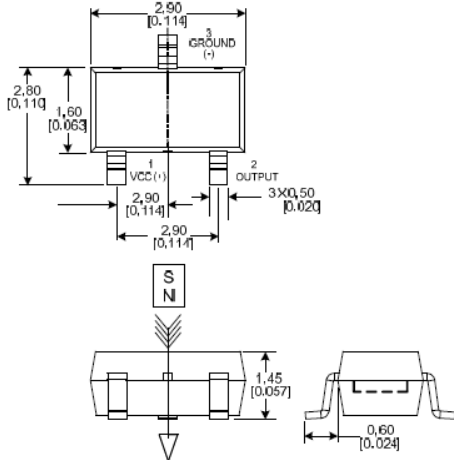
## TAPE DIMENSIONS FOR STYLE T2



## TAPE DIMENSIONS FOR STYLE T3

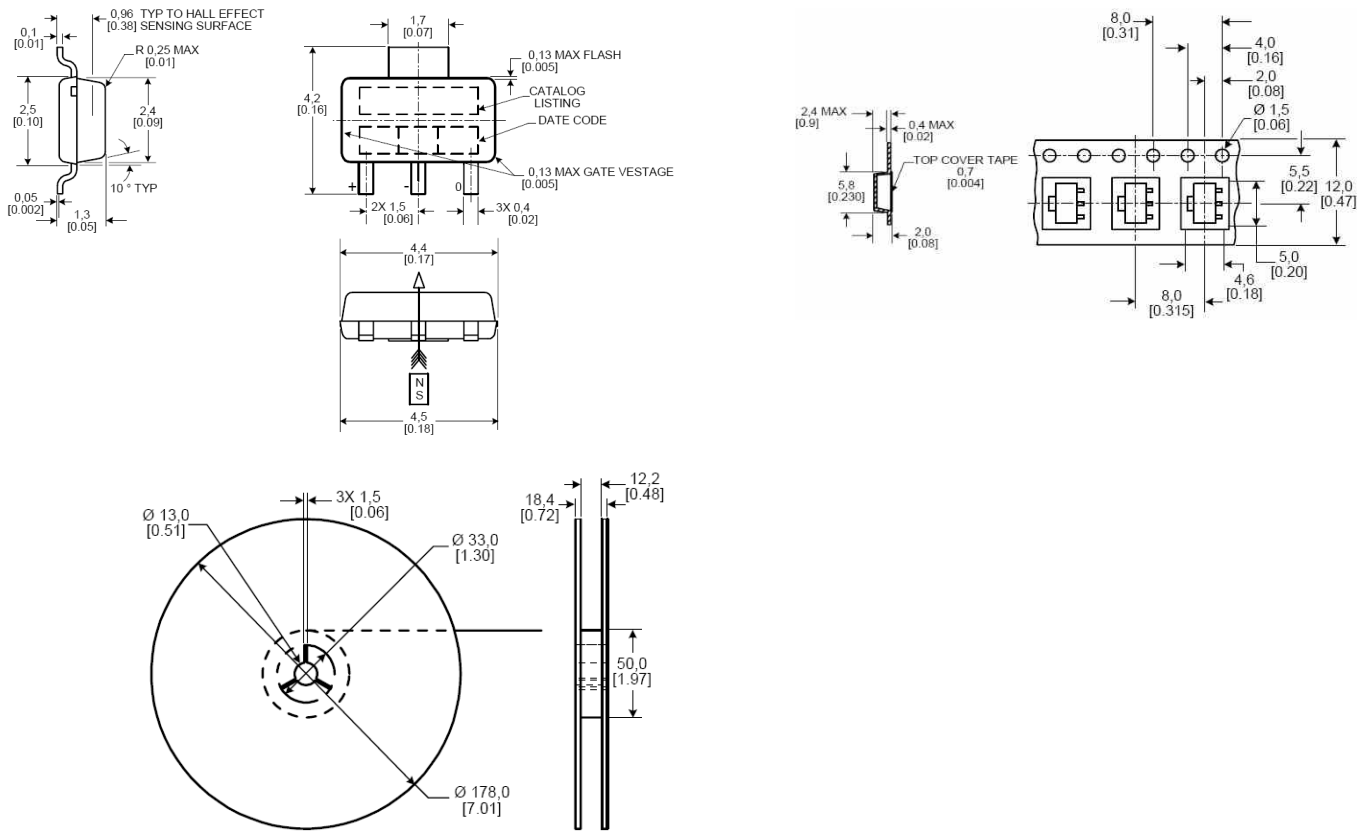


SS30AT SERIES MOUNTING DIMENSIONS (for reference only) mm/[in]



# Bipolar Hall-Effect Magnetic Position Sensors

## SS50AT SERIES MOUNTING DIMENSIONS (for reference only) mm/[in]



### Order Guide.

SS40A	Bipolar, Hall-effect sensor, radial lead IC package
SS40A-F	Bipolar, Hall-effect sensor, radial lead IC package with formed leads on 2,54 mm [0.100 in] centers
SS40A-T2	Bipolar, Hall-effect sensor, radial lead IC package tape-in-box (ammopack) version with formed leads
SS40A-T3	Bipolar, Hall-effect sensor, radial lead IC package tape-in-box (ammopack) version with straight leads
SS30AT	Bipolar, Hall-effect sensor, SOT-23 style surface-mount package, on tape and reel
SS50AT	Bipolar, Hall-effect sensor, SOT-89B style surface-mount package, on tape and reel